



AGE

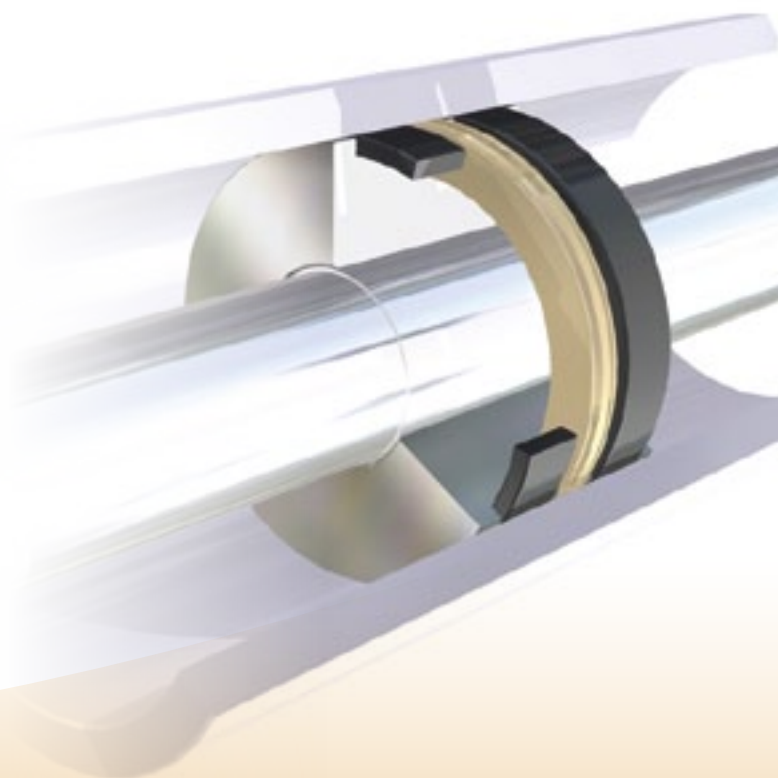
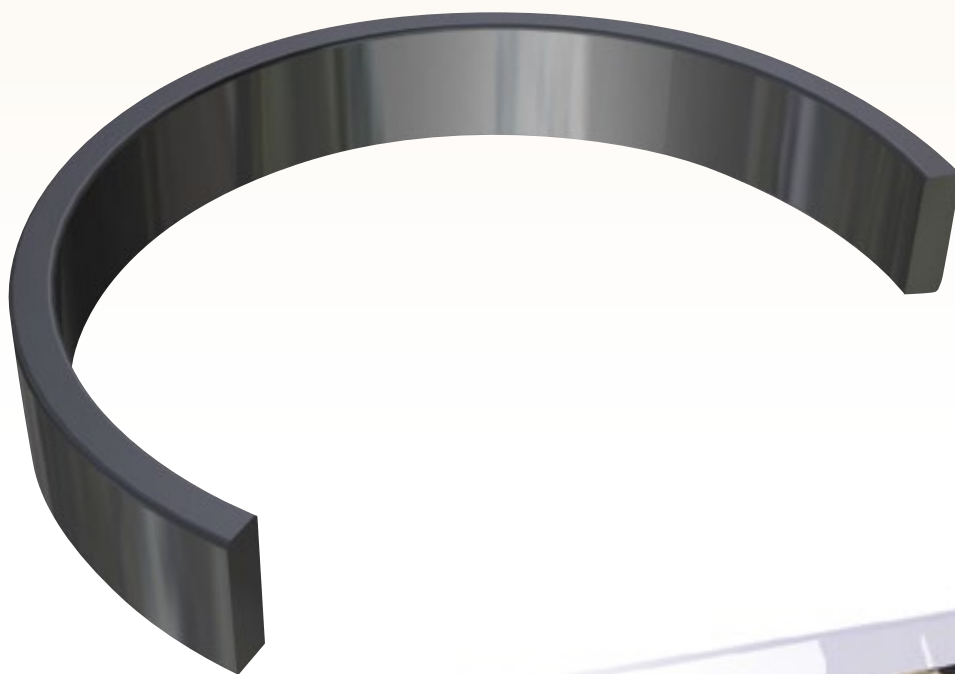
ANELLI di guida
guide **RINGS**

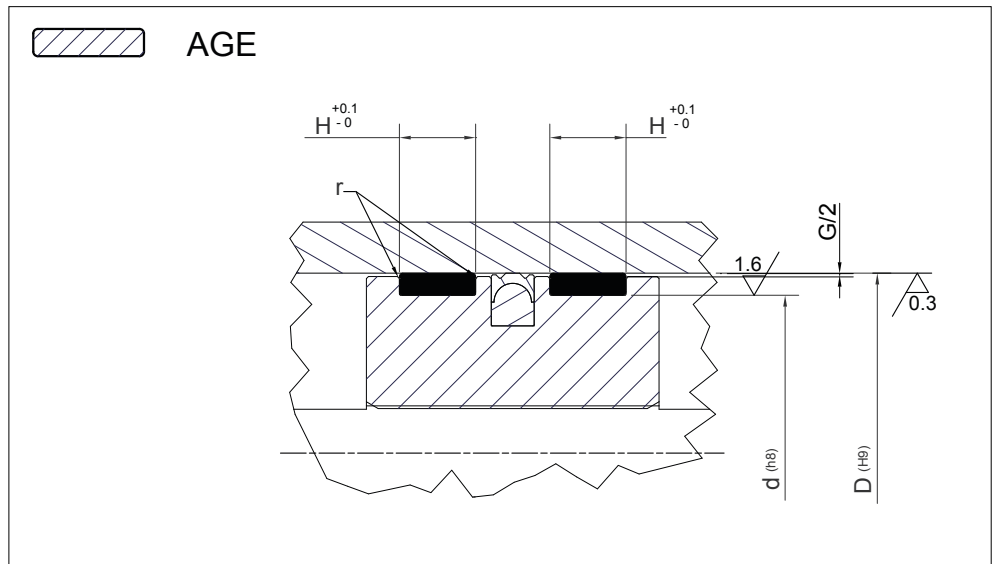
TECNOTEX

Versione standard	Standard version
POM	POM
Carico Radiale STATICO fino a / STATIC Radial Load up to	
40 N/mm ²	
Carico Radiale DINAMICO fino a / DYNAMIC Radial Load up to	
20 N/mm ²	
Velocità fino a / Speed up to	
0.8 m/s	
Temperatura / Temperature	
-40°C +110°C	
Applicazioni	Applications
Cilindri Idraulici Cilindri Telescopici Cilindri per agricoltura Carrelli Elevatori	Standard cylinders Telescopic cylinders Agricultural cylinders Forklift

AGE

226÷229





Wear Ring design guidelines

r	$r \leq 0.2 \text{ mm}$		
G	D ≤ 25mm	D ≥ 25mm to D100mm	>100mm
	0.60mm	0.80mm	1.30mm

Roughness- Ra

Sliding Surface	$Ra < 0.3 \mu\text{m}$
Groove Base	$Ra < 1.6 \mu\text{m}$
Groove Flanks	$Ra < 1.6 \mu\text{m}$

PART NR	DIMENSIONI SEDI / Housing dimensions		
	D	d	H
AGE 16/2	16,00	12,00	9,70
AGE 20/2	20,00	16,00	9,70
AGE 25/2	25,00	21,00	9,70
AGE 30/2	30,00	26,00	9,70
AGE 32/2	32,00	28,00	9,70
AGE 35/2	35,00	31,00	9,70
AGE 40/2	40,00	36,00	9,70
AGE 45/2	45,00	41,00	9,70
AGE 50	50,00	44,00	9,70
AGE 55	55,00	49,00	12,80
AGE 60	60,00	54,00	12,80
AGE 63	63,00	57,00	12,80
AGE 65	65,00	59,00	12,80
AGE 70	70,00	64,00	12,80
AGE 74	74,00	68,00	12,80
AGE 75	75,00	69,00	12,80
AGE 80	80,00	74,00	12,80
AGE 85	85,00	79,00	12,80
AGE 90	90,00	84,00	12,80
AGE 93	93,00	87,00	12,80
AGE 95	95,00	89,00	12,80
AGE 100	100,00	94,00	12,80
AGE 105	105,00	99,00	12,80
AGE 110	110,00	104,00	12,80
AGE 112	112,00	106,00	12,70
AGE 115	115,00	109,00	12,80
AGE 120	120,00	114,00	12,80

