



# GHW

RASCHIATORI  
WIPERS

TECNOLAN

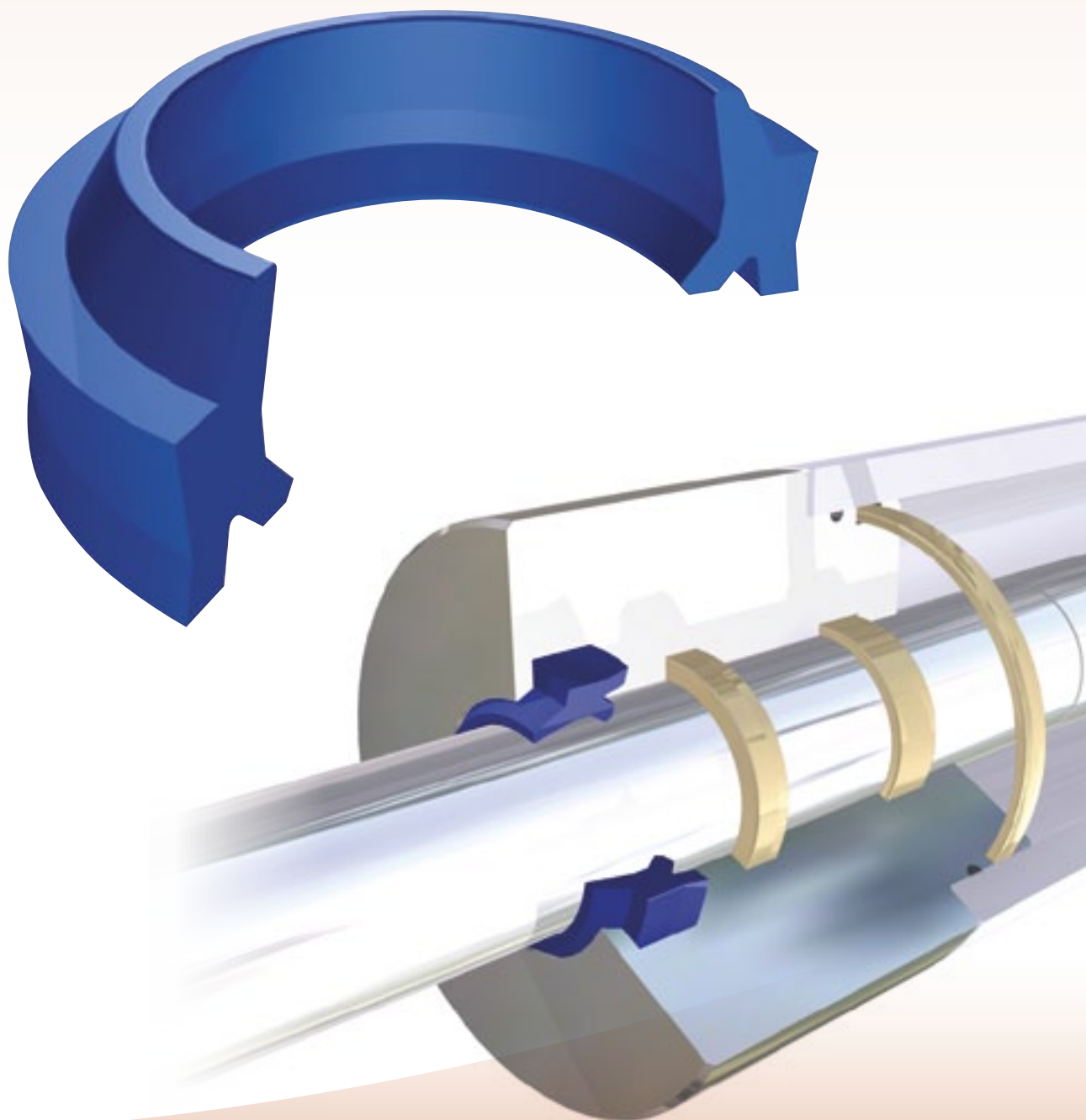
<b>Versione standard</b>	<b>Standard version</b>
Poliuretano	Polyurethane
<b>Velocità fino a /Speed up to</b>	
0.8 m/s	
<b>Temperatura /Temperature</b>	
-35°C +100°C	
<b>Applicazioni</b>	<b>Applications</b>
Cilindri idraulici Cilindri Telescopici Sponde idrauliche	Standard hydraulic cylinders Telescopic Cylinders Tail Lifts

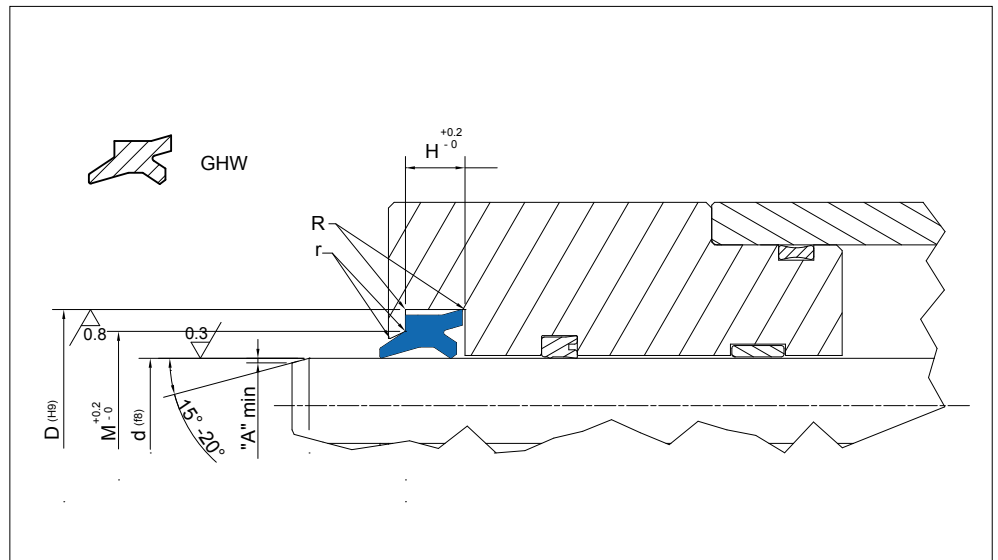


RASCHIATORI  
WIPERS

**GHW**

258÷261





### Design wipers guidelines

R	R ≤ 0.5 mm	
r	r ≤ 0.3 mm	
A	D ≤ 70mm	D ≥ 70mm
	4 mm	6 mm

PART NR		DIMENSIONI SEDI / Housing dimensions			
		d	D	H	M
<b>GHW 10</b>	<b>039063</b>	10,00	16,60	3,60	11,30
<b>GHW 10/1</b>	<b>039063/1</b>	10,00	16,60	5,30	11,30
<b>GHW 12</b>	<b>047070</b>	12,00	18,60	3,80	15,00
<b>GHW 14</b>	<b>055078</b>	14,00	20,60	3,80	17,00
<b>GHW 18</b>	<b>070094</b>	18,00	24,60	3,80	21,00
<b>GHW 20</b>	<b>078110</b>	20,00	28,60	5,30	23,00
<b>GHW 20/1</b>	<b>078102</b>	20,00	26,60	3,80	23,00
<b>GHW 22</b>	<b>086118</b>	22,00	30,60	5,30	25,00
<b>GHW 24</b>	<b>094125</b>	24,00	32,60	5,30	27,00
<b>GHW 25</b>	<b>098129</b>	25,00	33,60	5,30	28,00
<b>GHW 28</b>	<b>110141</b>	28,00	36,60	5,30	31,00
<b>GHW 30</b>	<b>118149</b>	30,00	38,60	5,30	33,00
<b>GHW 32</b>	<b>125157</b>	32,00	40,60	5,30	35,00
<b>GHW 35</b>	<b>137169</b>	35,00	43,60	5,30	38,00
<b>GHW 36</b>	<b>141173</b>	36,00	44,60	5,30	39,00
<b>GHW 40</b>	<b>157188</b>	40,00	48,60	5,30	43,00
<b>GHW 42</b>	<b>165196</b>	42,00	50,00	5,30	45,00
<b>GHW 45</b>	<b>177208</b>	45,00	53,60	5,30	48,00
<b>GHW 50</b>	<b>196228</b>	50,00	58,60	5,30	53,00
<b>GHW 55</b>	<b>216248</b>	55,00	63,60	5,30	58,00
<b>GHW 56</b>	<b>220251</b>	56,00	64,60	5,30	59,00
<b>GHW 60</b>	<b>236267</b>	60,00	68,60	5,30	63,00
<b>GHW 60/1</b>	<b>236275</b>	60,00	70,60	5,30	65,00
<b>GHW 63</b>	<b>248279</b>	63,00	71,60	5,30	66,00
<b>GHW 63/1</b>	<b>248279/1</b>	63,00	73,60	5,30	66,00
<b>GHW 65</b>	<b>255287</b>	65,00	73,60	5,30	68,00
<b>GHW 70</b>	<b>275307</b>	70,00	78,60	5,30	73,00

