



PDP

Guarnizioni per PISTONE
PISTON seals

TECNOLAN

| Versione standard | | Standard version | |
|--|-----------------|---------------------------------|---------------|
| Elemento di tenuta | NBR | Sealing Ring | NBR |
| Anello esterno | Poliuretano | Outer Sealing Ring | Polyurethane |
| Rondelle | POM | Back up Rings | POM |
| Versioni Alternative | | Alternative Versions | |
| Elemento di tenuta | NBR basse temp. | Sealing Ring | NBR low temp. |
| Pressione fino a / Pressure up to | | | |
| 40 MPa | | | |
| Velocità fino a / Speed up to | | | |
| 0.5 m/s | | | |
| Temperatura / Temperature | | | |
| -30°C +110°C | | -50°C +110°C TDS 108 | |
| Applicazioni | | Applications | |
| Escavatori | | Excavators | |
| Idraulica Mobile | | Mobile Hydraulics | |
| Cilindri per applicazioni medie | | Medium duty hydraulic cylinders | |



PDH

Guarnizioni per PISTONE
PISTON seals

TECNOTEX

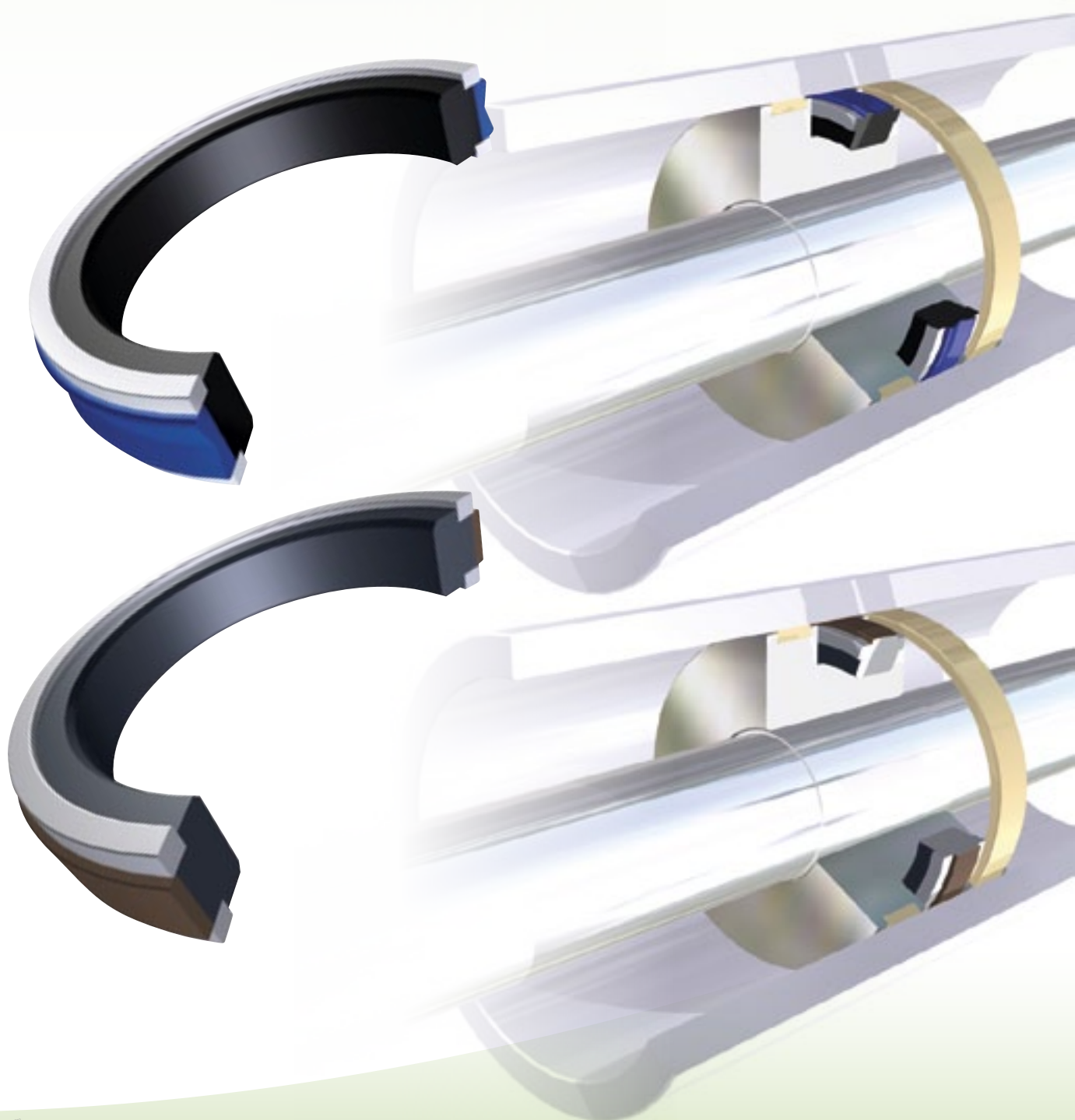
| Versione standard | | Standard version | |
|--|------------------|-----------------------------------|---------------|
| Elemento di tenuta | NBR | Sealing Ring | NBR |
| Anello esterno | PTFE caricato | Outer Sealing Ring | PTFE |
| Rondelle | POM | Back up Rings | POM |
| Versioni Alternative | | Alternative Versions | |
| Elemento di tenuta | NBR basse temp. | Sealing Ring | NBR low temp. |
| Elemento di tenuta | NBR FKM | Sealing Ring | NBR FKM |
| Rondelle | PTFE | Back up Rings | PTFE |
| Pressione fino a / Pressure up to | | | |
| 60 MPa | | | |
| Velocità fino a / Speed up to | | | |
| 1.5 m/s | | | |
| Temperatura / Temperature | | | |
| -30°C +110°C | -20°C +200°C FKM | -50°C +110°C TDS 108 | |
| Applicazioni | | Applications | |
| Idraulica Mobile | | Mobile Hydraulics | |
| Excavators | | Excavators | |
| Cilindri per applicazioni gravose | | Heavy duty hydraulic applications | |

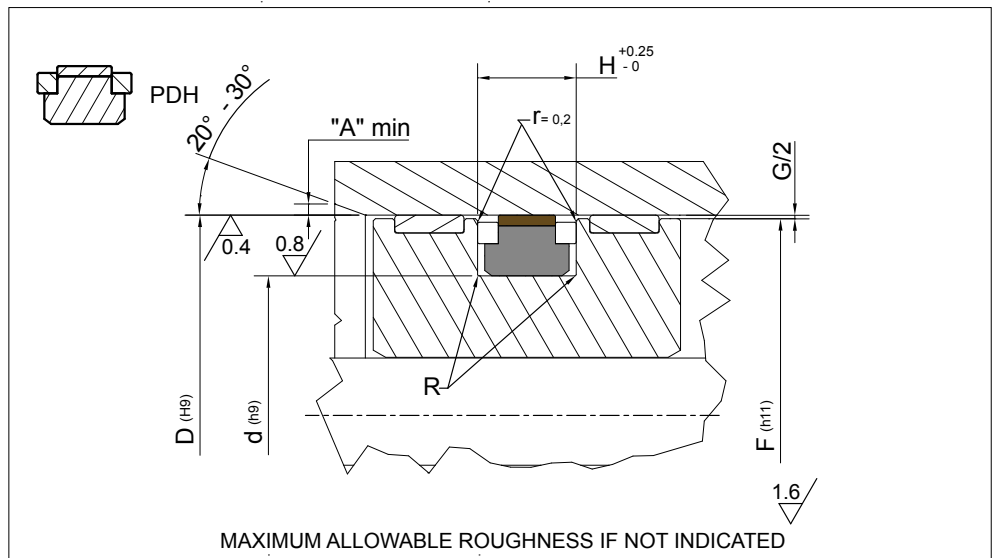
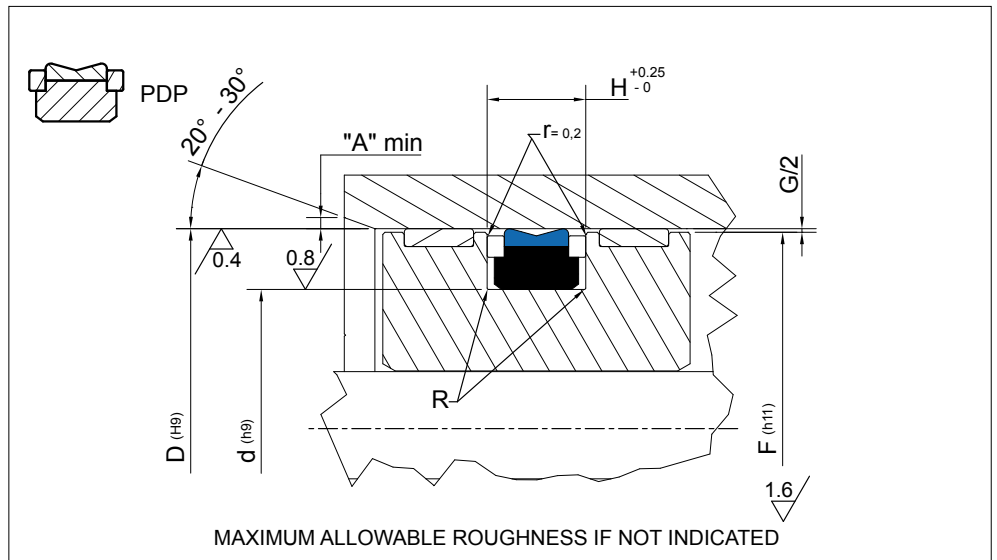


Guarnizioni per PISTONE
PISTON seals

PDP • PDH

146÷149





Piston Seal design guidelines

| R | d ≤ 100mm max 0.30 mm | | d > 100mm max 0.60 mm | |
|---|----------------------------|------|---|------|
| | A | 1 mm | 2 mm | 3 mm |
| G | Pressure up to 35 MPa 1.00 | | Pressure from 35 MPa up to 60 MPa peak 0.60 | |

| PART NR | | DIMENSIONI SEDI / Housing dimensions | | | | |
|---------|-----|--------------------------------------|-------|-------|------|-------|
| | | D | d | H | S | F |
| PDP/PDH | 101 | 40,00 | 30,00 | 8,00 | 5,00 | 39,30 |
| PDP/PDH | 102 | 50,00 | 36,00 | 9,00 | 5,00 | 49,30 |
| PDP/PDH | 103 | 50,00 | 40,00 | 8,00 | 5,00 | 49,30 |
| PDP/PDH | 104 | 55,00 | 41,00 | 9,00 | 5,00 | 54,30 |
| PDP/PDH | 105 | 60,00 | 46,00 | 9,00 | 5,00 | 59,30 |
| PDP/PDH | 106 | 60,00 | 50,00 | 8,00 | 5,00 | 59,30 |
| PDP/PDH | 107 | 63,00 | 48,00 | 11,00 | 5,00 | 62,30 |
| PDP/PDH | 108 | 63,00 | 53,00 | 8,00 | 5,00 | 62,30 |
| PDP/PDH | 109 | 65,00 | 50,00 | 11,00 | 5,00 | 64,30 |
| PDP/PDH | 110 | 70,00 | 55,00 | 11,00 | 5,00 | 69,30 |
| PDP/PDH | 111 | 70,00 | 60,00 | 8,00 | 5,00 | 69,30 |
| PDP/PDH | 112 | 75,00 | 60,00 | 11,00 | 5,00 | 74,30 |
| PDP/PDH | 113 | 80,00 | 65,00 | 11,00 | 5,00 | 79,00 |
| PDP/PDH | 114 | 80,00 | 65,00 | 12,50 | 5,00 | 79,00 |
| PDP/PDH | 115 | 85,00 | 70,00 | 11,00 | 5,00 | 84,00 |

**PDP
PDH**

| PART NR | | DIMENSIONI SEDI / Housing dimensions | | | | |
|---------|-------|--------------------------------------|--------|-------|------|--------|
| | | D | d | H | S | F |
| PDP/PDH | 116 | 90,00 | 75,00 | 11,00 | 5,00 | 89,00 |
| PDP/PDH | 117 | 90,00 | 75,00 | 12,50 | 5,00 | 89,00 |
| PDP/PDH | 118 | 95,00 | 80,00 | 11,00 | 5,00 | 94,00 |
| PDP/PDH | 119 | 100,00 | 85,00 | 12,50 | 5,00 | 99,00 |
| PDP/PDH | 119/1 | 105,00 | 90,00 | 12,50 | 5,00 | 104,00 |
| PDP/PDH | 120 | 110,00 | 95,00 | 12,50 | 5,00 | 109,00 |
| PDP/PDH | 121 | 115,00 | 100,00 | 12,50 | 5,00 | 114,00 |
| PDP/PDH | 122 | 120,00 | 105,00 | 12,50 | 5,00 | 119,00 |
| PDP/PDH | 123 | 125,00 | 102,00 | 16,00 | 6,50 | 124,00 |
| PDP/PDH | 124 | 125,00 | 110,00 | 12,50 | 6,50 | 124,00 |
| PDP/PDH | 125 | 130,00 | 107,00 | 16,00 | 6,50 | 129,00 |
| PDP/PDH | 126 | 130,00 | 115,00 | 12,50 | 6,50 | 129,00 |
| PDP/PDH | 127 | 135,00 | 112,00 | 16,00 | 6,50 | 134,00 |
| PDP/PDH | 128 | 140,00 | 117,00 | 16,00 | 6,50 | 139,00 |
| PDP/PDH | 129 | 140,00 | 125,00 | 12,50 | 6,50 | 139,00 |
| PDP/PDH | 130 | 145,00 | 122,00 | 16,00 | 6,50 | 144,00 |
| PDP/PDH | 131 | 150,00 | 127,00 | 16,00 | 6,50 | 149,00 |
| PDP/PDH | 131/1 | 150,00 | 135,00 | 12,50 | 6,50 | 149,00 |
| PDP/PDH | 132 | 160,00 | 137,00 | 16,00 | 6,50 | 159,00 |
| PDP/PDH | 133 | 160,00 | 145,00 | 12,50 | 6,50 | 159,00 |
| PDP/PDH | 134 | 165,00 | 142,00 | 16,00 | 6,50 | 164,00 |
| PDP/PDH | 134/1 | 170,00 | 147,00 | 16,00 | 6,50 | 169,00 |
| PDP/PDH | 134/2 | 170,00 | 155,00 | 12,50 | 6,50 | 169,00 |
| PDP/PDH | 135 | 180,00 | 157,00 | 16,00 | 6,50 | 179,00 |
| PDP/PDH | 136 | 180,00 | 165,00 | 12,50 | 6,50 | 179,00 |
| PDP/PDH | 136/1 | 190,00 | 167,00 | 16,00 | 6,50 | 189,00 |
| PDP/PDH | 137 | 190,00 | 175,00 | 12,50 | 6,50 | 189,00 |
| PDP/PDH | 137/1 | 200,00 | 177,00 | 16,00 | 6,50 | 198,80 |
| PDP/PDH | 138 | 200,00 | 180,00 | 16,00 | 6,50 | 198,80 |
| PDP/PDH | 138/1 | 220,00 | 200,00 | 16,00 | 8,00 | 218,80 |
| PDP/PDH | 138/2 | 225,00 | 202,00 | 16,00 | 8,00 | 223,80 |
| PDP/PDH | 139 | 230,00 | 210,00 | 16,00 | 8,00 | 228,80 |
| PDP/PDH | 140 | 250,00 | 230,00 | 16,00 | 8,00 | 248,80 |
| PDP/PDH | 141 | 260,00 | 240,00 | 16,00 | 8,00 | 258,80 |
| PDP/PDH | 142 | 280,00 | 260,00 | 16,00 | 8,00 | 278,80 |
| PDP/PDH | 143 | 290,00 | 270,00 | 16,00 | 8,00 | 288,80 |
| PDP/PDH | 144 | 300,00 | 280,00 | 16,00 | 8,00 | 298,80 |
| PDP/PDH | 145 | 320,00 | 295,00 | 20,00 | 8,00 | 318,80 |
| PDP/PDH | 146 | 400,00 | 375,00 | 20,00 | 8,00 | 398,80 |
| | | | | | | |
| | | | | | | |
| | | | | | | |
| | | | | | | |
| | | | | | | |
| | | | | | | |
| | | | | | | |
| | | | | | | |
| | | | | | | |
| | | | | | | |
| | | | | | | |
| | | | | | | |
| | | | | | | |
| | | | | | | |
| | | | | | | |
| | | | | | | |
| | | | | | | |
| | | | | | | |
| | | | | | | |
| | | | | | | |

